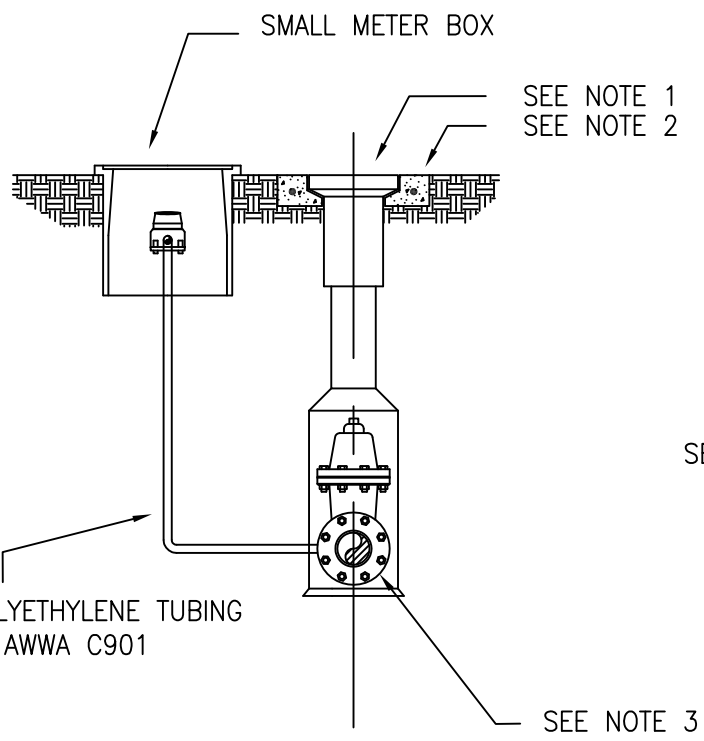
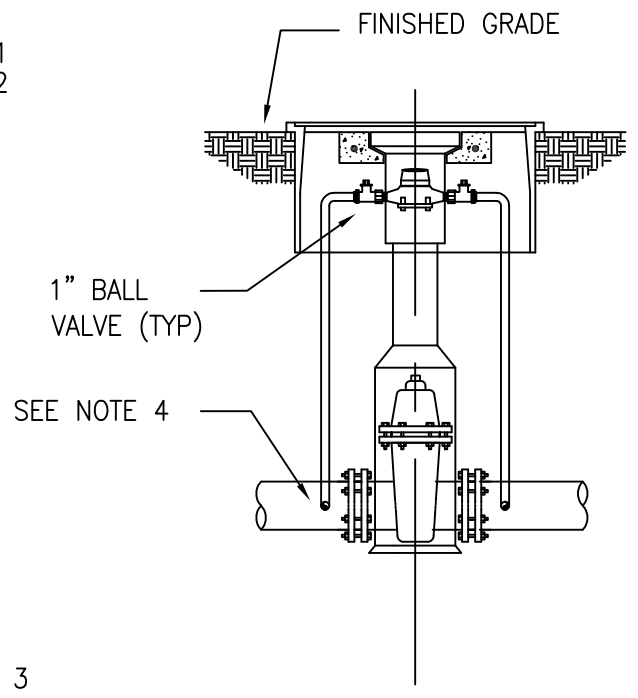


RIGHT-OF-WAY LINE



**SECTION**  
N.T.S.



**PROFILE**  
N.T.S.

**NOTES:**

1. CONSTRUCT USING A SEALED VALVE BOX IN ACCORDANCE WITH THE "RECOMMENDED STANDARDS FOR WATER WORKS, 2003 EDITION"
2. CONSTRUCT COLLAR PER DETAILS FIG-10A
3. M.J. GATE VALVE PER TECHNICAL SPECIFICATION 15101
4. 1" TAP MADE ON EACH SIDE OF GATE VALVE FOR LEAK DETECTION, WATER SAMPLING, AND PRESSURE TESTING. 1" BALL VALVES ON EACH TAP WILL ALLOW THE CONNECTION OF A 3/4" TEMPORARY METER

<p>CITY OF PALM BAY, UTILITIES DEPARTMENT POLICIES, PROCEDURES AND STANDARDS INSTALLATION DETAIL</p>	<p><b>SUB-AQUEOUS CROSSING ISOLATION VALVE DETAIL</b></p>	<p>DWN.BY: E.K.R. REV. E.K.R. 11-16-10</p>	<p>DATE: 5-3-10 DWG. NO. <b>W-5</b></p>
--	---	--	---