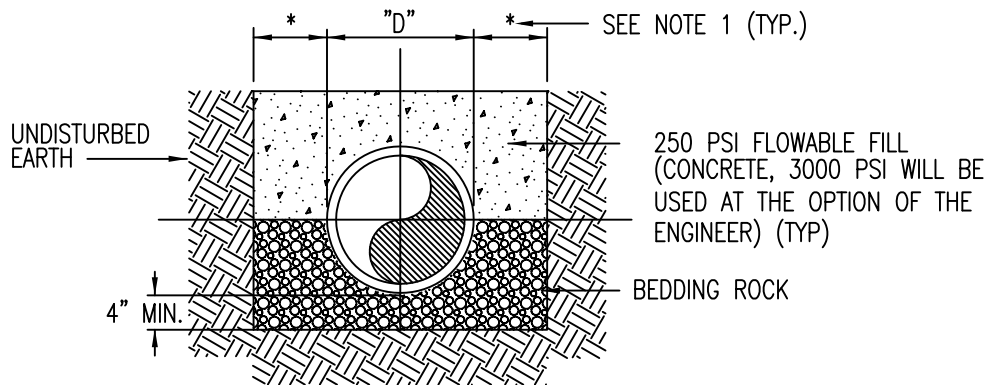
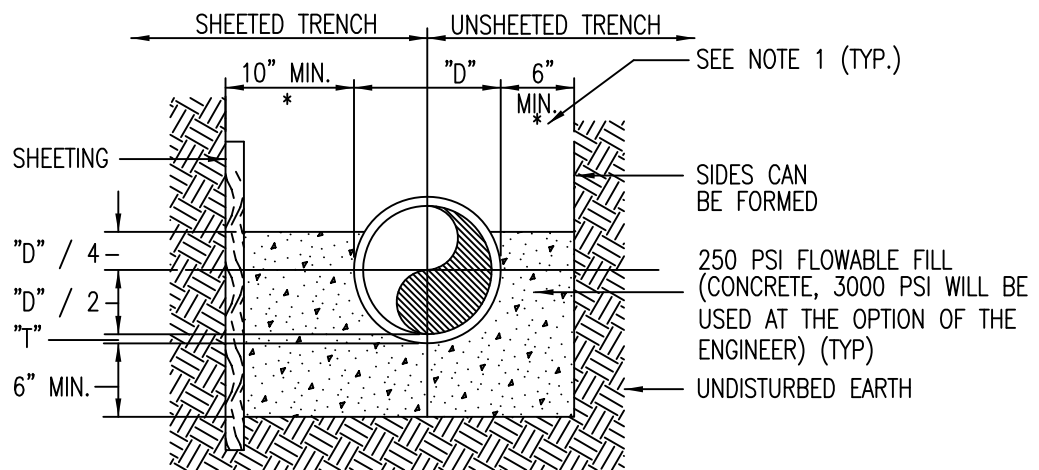


FULL ENCASEMENT



ARCH



CRADLE OR HALF ENCASEMENT

NOTES:

1. (*): 15" MAX. FOR PIPE DIAMETER LESS THAN 24", AND 24" MAX. FOR PIPE DIA. 24" AND OVER.
2. "D" REFERS TO THE DIAMETER OF THE PIPE.
3. "T" REFERS TO THE THICKNESS OF THE PIPE.
4. USE OF ARCH, HALF ENCASEMENT OR FULL ENCASEMENT TO BE DETERMINED IN THE FIELD AS DIRECTED BY THE CITY OF PALM BAY UTILITIES DEPARTMENT.